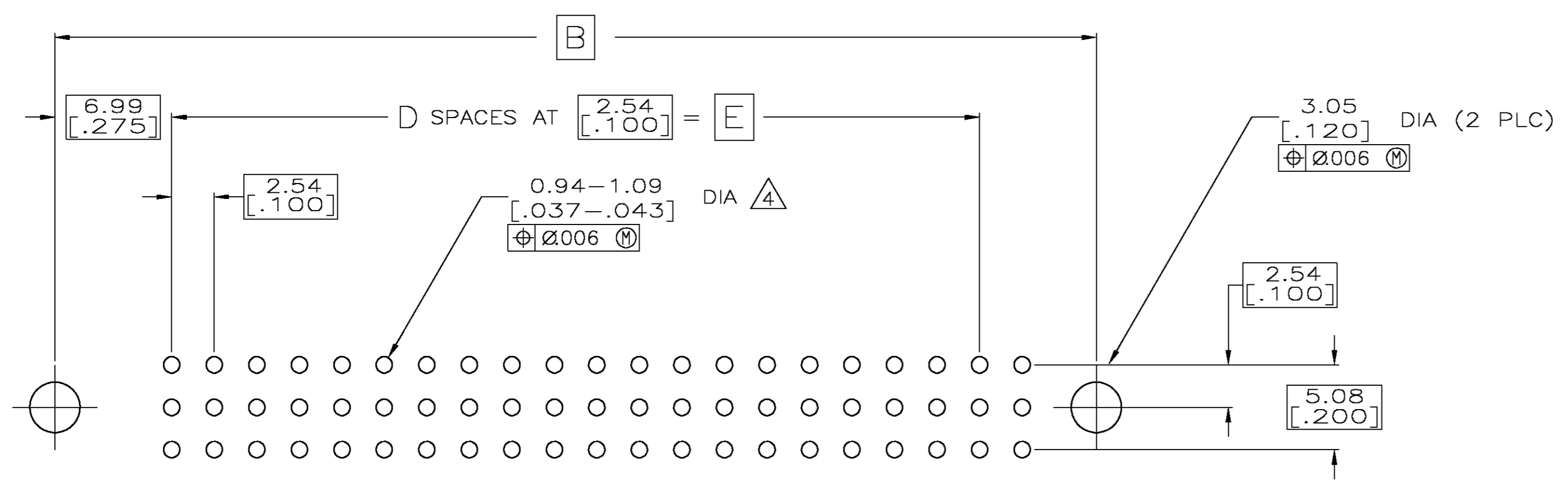
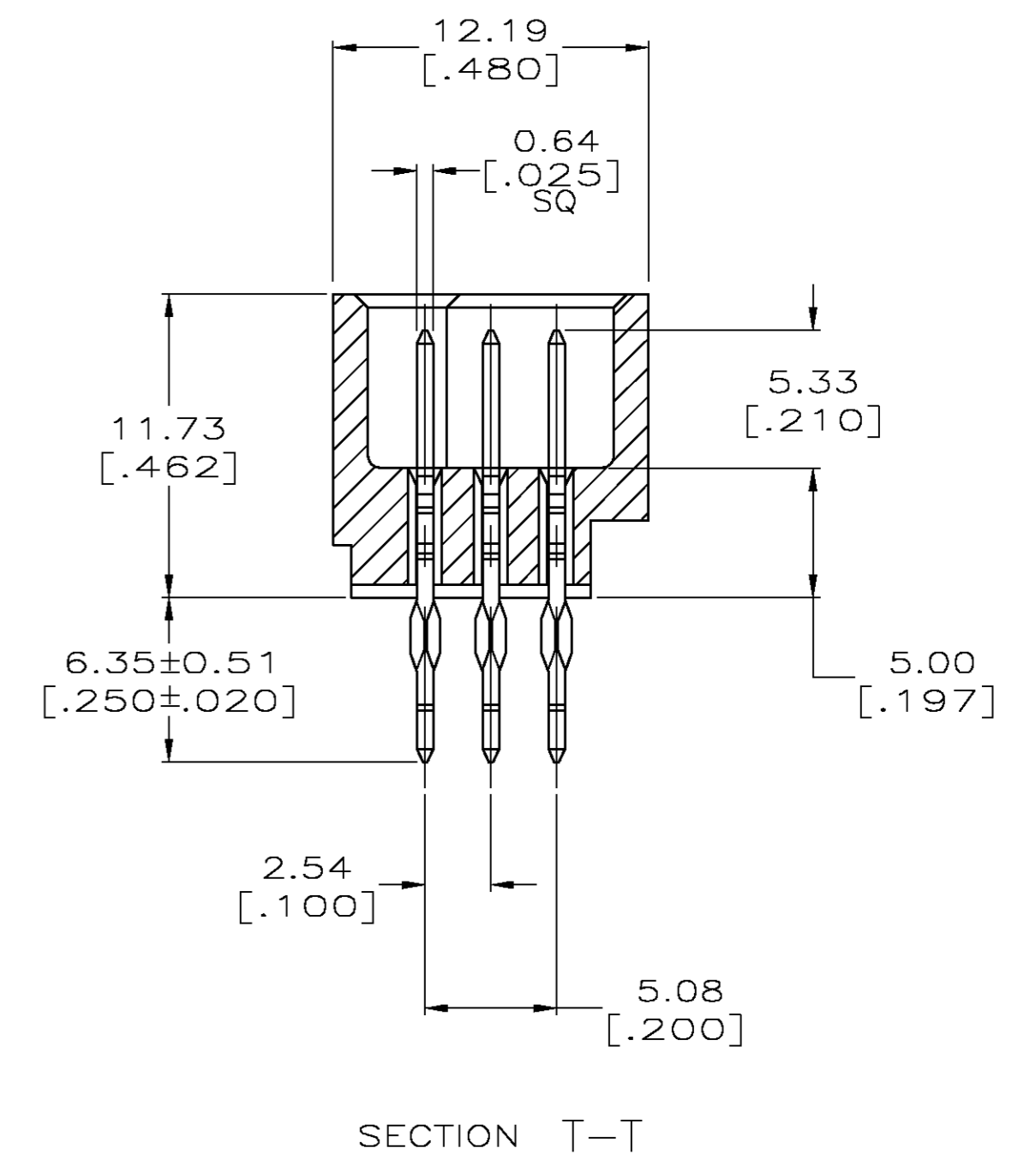
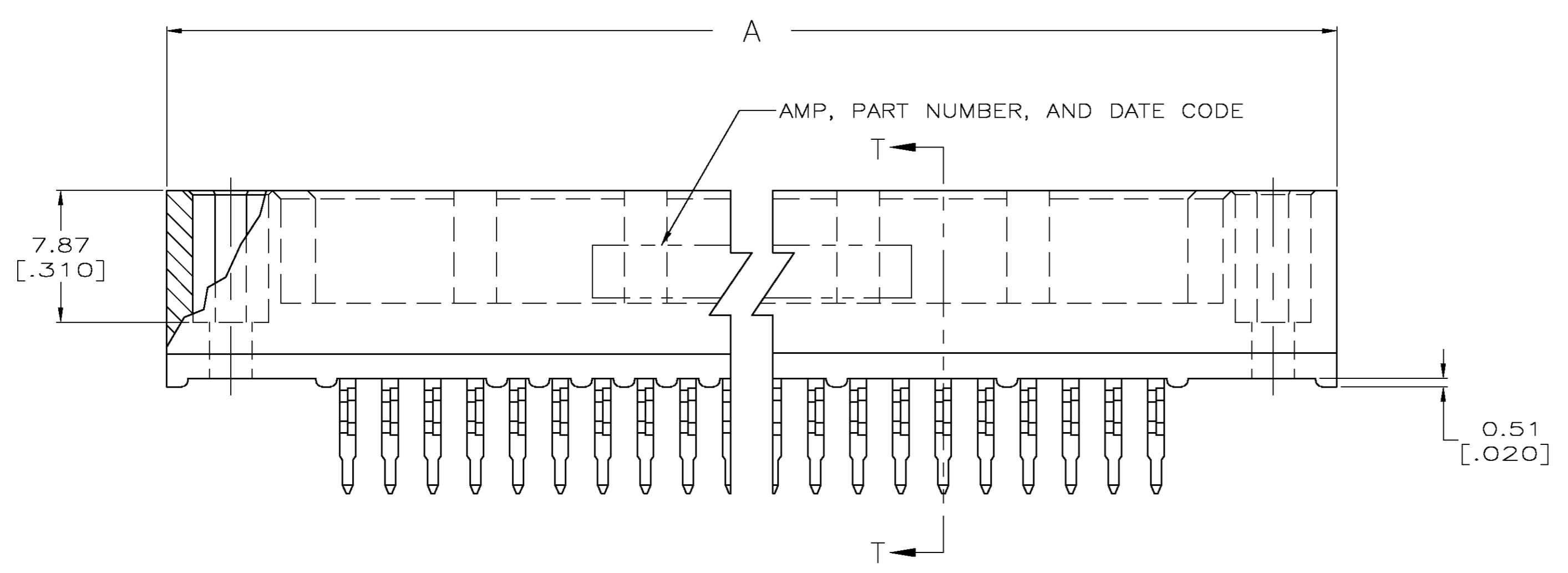


- △ HOUSING MATERIAL: THERMOPLASTIC, COLOR-BLACK.
- △ CONTACT MATERIAL: PHOSPHOR BRONZE.
- △ CONTACT FINISH: .00127-.00254 [.000050-.000100] NICKEL UNDERPLATE ALL OVER; .00076 [.000030] GOLD PLATE IN CONTACT AREA, TIN PLATED POSTS.
- △ ACTION PIN POSTS REQUIRE 2.36 [.093] MIN THICK P.C. BOARD. RECOMMENDED P.C. BOARD HOLES ARE 1.151 [.0453] DIA PLATED THRU WITH 0.025-0.076 [.001-.003] COPPER, WITH 0.0076 [.0003] MIN TIN-LEAD PLATING; FINISHED HOLE AFTER PLATING 0.94-1.09 [.037-.043] DIA; AFTER RELOW 0.91-1.09 [.036-.043].



RECOMMENDED P.C. BOARD LAYOUT

| E              | D  | C              | B              | A              | POSN | PART NUMBER |
|----------------|----|----------------|----------------|----------------|------|-------------|
| 187.96 [7.400] | 74 | 191.77 [7.550] | 201.93 [7.950] | 209.55 [8.250] | 225  | 1-5532447-2 |
| 175.26 [6.900] | 69 | 179.07 [7.050] | 189.23 [7.450] | 196.85 [7.750] | 210  | 1-5532447-1 |
| 162.56 [6.400] | 64 | 166.37 [6.550] | 176.53 [6.950] | 184.15 [7.250] | 195  | 1-5532447-0 |
| 149.86 [5.900] | 59 | 153.67 [6.050] | 163.83 [6.450] | 171.45 [6.750] | 180  | 5532447-9   |
| 99.06 [3.900]  | 39 | 102.87 [4.050] | 113.03 [4.450] | 120.85 [4.750] | 120  | 5532447-5   |
| 86.36 [3.400]  | 34 | 90.17 [3.550]  | 100.33 [3.950] | 107.95 [4.250] | 105  | 5532447-4   |
| 78.74 [3.100]  | 31 | 82.55 [3.250]  | 92.71 [3.650]  | 100.33 [3.950] | 96   | 5532447-3   |
| 60.96 [2.400]  | 24 | 64.77 [2.550]  | 74.93 [2.950]  | 82.55 [3.250]  | 75   | 5532447-1   |

THIS DRAWING IS A CONTROLLED DOCUMENT.

|                         |  |   |
|-------------------------|--|---|
| DRN: J. POLIGNONE       | 11MAY05                                | <br>Tyco Electronics Corporation<br>Harrisburg, Pa 17105-3608 |
| CHK: A. SHARPE          | 11MAY05                                |   |
| DIMENSIONS: mm [INCHES] | TOLERANCES UNLESS OTHERWISE SPECIFIED: | NAME: A. SHARPE   |
| 0 PLC ± -               | 1 PLC ± -                              | PRODUCT SPEC: -   |
| 2 PLC ± -               | 3 PLC ± 0.13 [.005]                    | APPLICATION SPEC: -   |
| 4 PLC ± -               | ANGLES ± -                             | FINISH ± -  |
| MATERIAL: △△            | FINISH: △                              | SIZE: A1  |
|                         |  | CAGE CODE: 00779  |
|                         |  | DRAWING NO: 5532447   |
|                         |  | RESTRICTED TO: -  |
|                         |  | CUSTOMER DRAWING  |
|                         |  | SCALE: 4:1  |
|                         |  | SHEET: 1 OF 1   |
|                         |  | REV: 0  |